

KNURLED

SH137013-NB

The cross-hatched texture of the Knurled hardware collection feels luxurious in-hand and lends a contemporary look to cabinets, drawers, and appliances. Both beautiful and functional with an ergonomic grip, this modern textured design catches light beautifully in your kitchen or bathroom.

FINISHES

Natural Brass

DIMENSIONS / SPECS

Height: 2.25"

Width/Diameter: 2.5"

Product Weight: 1lb

Extension: 2.25"

of Hooks: 1

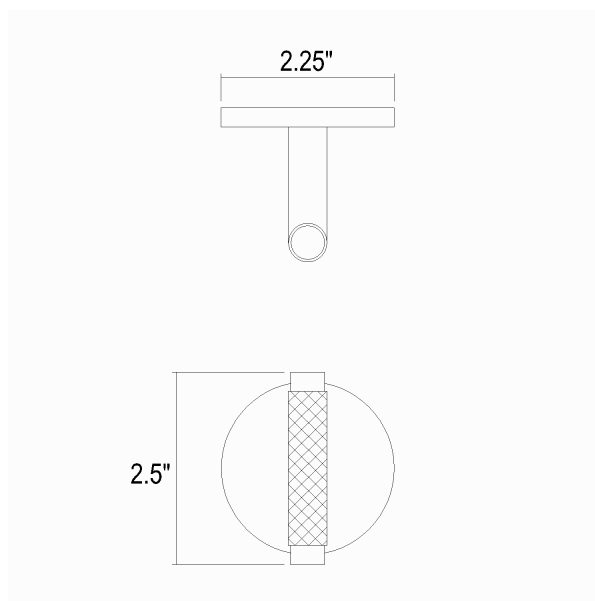
SHIPPING

Carton 1: 1" x 1" x 1"

Carton 1 Weight: 1lb

Shipping Method: Ground

Country of Origin:



SCHOOLHOUSE