

# PARKER

SH136768-NB

Named after famed musician and composer Charlie Parker, Parker's graceful profile and solid brass design are reminiscent of a saxophone's structure. Clean lines add a modern touch, while rounded wire handles make it comfortable to grasp. Features an optional backplate that may be used or removed based on desired aesthetic.

## FINISHES

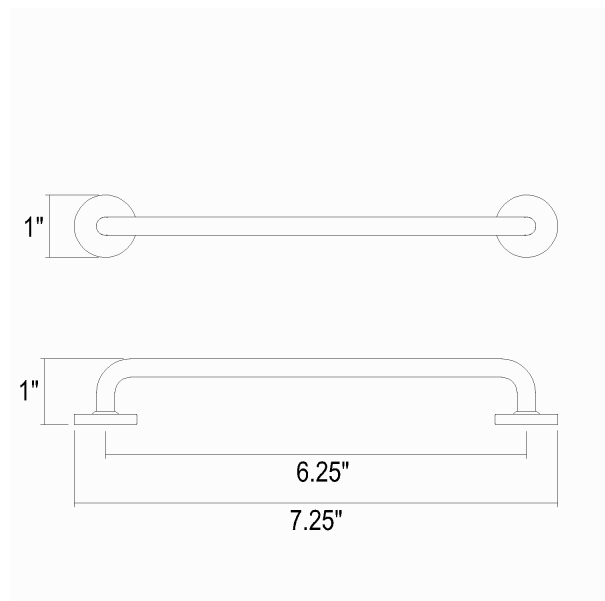
Natural Brass

## DIMENSIONS / SPECS

Height: 0.25"  
Width/Diameter: 7"  
Canopy/Backplate: 1"  
Product Weight: 1lb  
Extension: 1"  
Center-to-Center: 6"  
Pull Length: 7"

## SHIPPING

Carton 1: 1" x 1" x 1"  
Carton 1 Weight: 1lb  
Shipping Method: Ground  
Country of Origin:



SCHOOLHOUSE