

PARKER

SH136765-NB

Named after famed musician and composer Charlie Parker, Parker's graceful profile and solid brass design are reminiscent of a saxophone's structure. Clean lines add a modern touch, while rounded wire handles make it comfortable to grasp. Features an optional backplate that may be used or removed based on desired aesthetic.

FINISHES

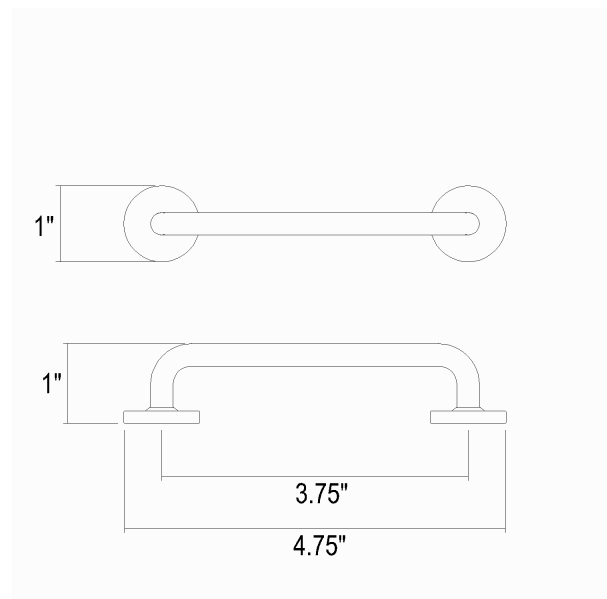
Natural Brass

DIMENSIONS / SPECS

Height: 0.25"
Width/Diameter: 5"
Canopy/Backplate: 1"
Product Weight: 1lb
Extension: 1"
Center-to-Center: 4"
Pull Length: 5"

SHIPPING

Carton 1: 1" x 1" x 1"
Carton 1 Weight: 1lb
Shipping Method: Ground
Country of Origin:



SCHOOLHOUSE