

GRANT

SH126051-WT/BK

An heirloom-worthy addition to any home, the Grant Mirror is admired for its hand-painted detailing and elegant finish options. Available in two distinct sizes, this utilitarian mirror is the perfect choice for your bathroom, the hallway, or as a statement piece above a credenza. Crafted from rolled steel, the Grant Mirror features a keyhole hanger that allows for quick, stable mounting.

FINISHES

WHITE w/ BLACK

DIMENSIONS / SPECS

Width/Diameter: 20"

Product Weight: 11lb

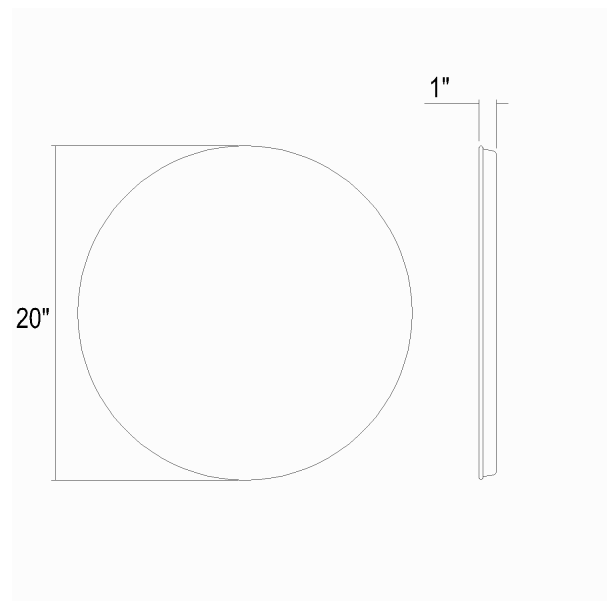
SHIPPING

Carton 1: 26" x 26" x 5"

Carton 1 Weight: 12lb

Shipping Method: Ground

Country of Origin:



SCHOOLHOUSE