

SOMERSET

SH122927-SN

Mid-century inspired, the simplicity of our Somerset collection pairs well in both eclectic and more traditional spaces. An iconic style created to accompany our heritage lighting collection, this refined hardware family brings a quiet elegance to your space.

FINISHES

SATIN NICKEL

DIMENSIONS / SPECS

Height: 0.75"

Width/Diameter: 8.75"

Product Weight: 2lb

Extension: 1.5"

Center-to-Center: 8"

Pull Length: 8.75"

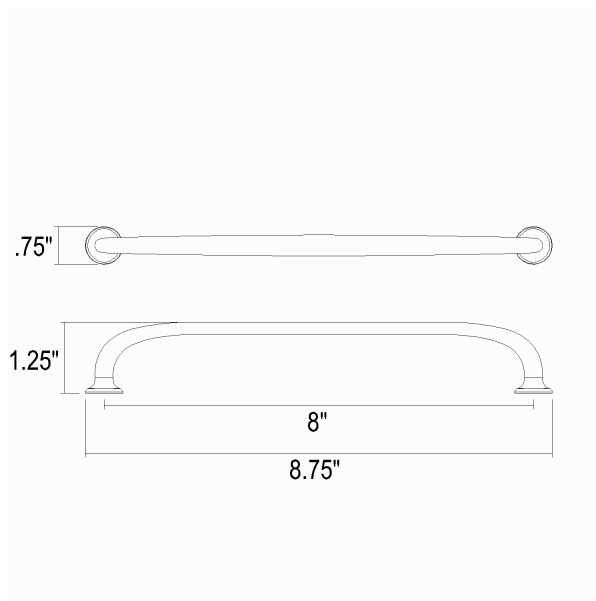
SHIPPING

Carton 1: 9" x 1" x 2"

Carton 1 Weight: 1lb

Shipping Method: Ground

Country of Origin:



SCHOOLHOUSE