

# THOMAS

SH116136-NB

Crafted from solid, high-quality brass, this utilitarian hook provides an elegant storage solution for anywhere in the home. Designed with three mounting holes for sturdy hanging.

## FINISHES

Natural Brass

## DIMENSIONS / SPECS

Height: 2.5"

Width/Diameter: 3"

Product Weight: 1lb

Extension: 1.5"

Center-to-Center: 2.5"

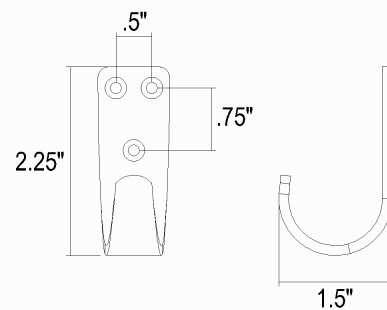
## SHIPPING

Carton 1: 3" x 2" x 1"

Carton 1 Weight: 1lb

Shipping Method: Ground

Country of Origin: US



SCHOOLHOUSE