

QUEBEC

1634-GL

In a clever play on materiality, this sensory fixture transforms bleached Abaca rope into jewelry-like chains. The finely twisted ropes appear like delicate gold strands from afar but have a rustic quality that makes the fixture feel casual and coastal. Suspended by a thick Gold Leaf framework, Quebec is available in two sizes of chandelier as well as a sconce. The clear glass drum has been painted white for a soft, opaque effect that gently diffuses light.

*Due to the one-of-a-kind nature of the medium, exact colors and patterns may vary slightly from the image shown.

FINISHES

GOLD LEAF

DIMENSIONS

Height: 6.25"
Width/Diameter: 22"
Minimum Height: 24"
Maximum Height: 60.75"
Canopy/Backplate: 6"
Hanging Type: 54" Chain
Product Weight: 23lb
Canopy/Backplate Shape: Round
Sloped Ceiling Compatible: No
Living Finish: No
Uplight Only: No

Shade

Shade 1: Glass
Shade 1 Finish: Clear Etched
Shade 1 Top Width: 17.25"
Shade 1 Height: 0.25"
Shade 2: Natural Woven
Shade 2 Finish: Abaca
Shade 2 Top Width: 20.5"
Shade 2 Bottom L/W: 0" / 20.5"
Shade 2 Height: 5"

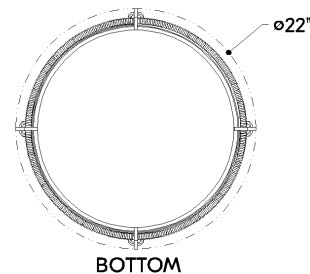
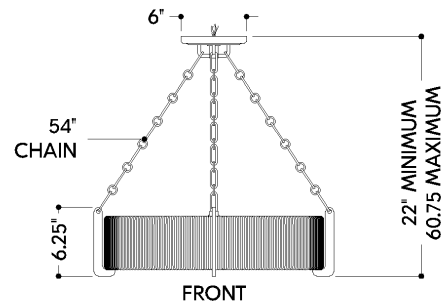


ELECTRICAL



Bulb 1

Bulb Included: No
Socket: E12 Candelabra Base
Bulb Type: B11
Max Wattage: 8
Bulb Quantity: 4
Wire Length: 120"
Cord Type: SPT-1 SILVER W/ TINNED GROUND WIRE
Gem Box Required (2"x3"): No
Dark Sky: No



SHIPPING

Carton 1: 26" x 26" x 12"
Carton 1 Weight: 62lb
Shipping Method: Ground
Country of Origin: PH