

LEWISTON

1206-WP

Intricately wrapped in white coconut shell beads, the enchanting Lewiston resembles an artifact pulled from the sea. Its gracefully looped arms form an oblong cage-like structure with a candle cluster nested inside. Suspended from a matching white chain, Lewiston is available in 6 and 8-light versions.

*Due to the one-of-a-kind nature of the medium, exact colors and patterns may vary slightly from the image shown.

FINISHES

WHITE PLASTER

Coastal Suitable Finish (EPM): No

DIMENSIONS

Height: 16.5"

Width/Diameter: 24.5"

Minimum Height: 21"

Maximum Height: 72.5"

Canopy/Backplate: 6.5"

Hanging Type: 54" Chain

Product Weight: 22lb

Canopy/Backplate Shape: Round

Sloped Ceiling Compatible: Yes

Living Finish: No

Uplight Only: No

Shade

Shade 1: Natural Woven

Shade 1 Finish: Coco Beads

ELECTRICAL



Bulb 1

Bulb Included: No

Socket: E12 Candelabra Base

Bulb Type: T8-3.5

Max Wattage: 8

Bulb Quantity: 6

Wire Length: 120"

Cord Type: SPT-1 SILVER W/ TINNED GROUND WIRE

Gem Box Required (2"x3"): No

Dark Sky: No

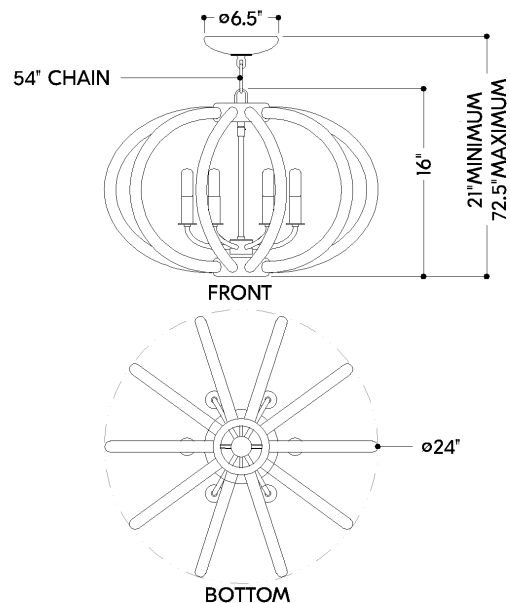
SHIPPING

Carton 1: 28" x 28" x 21"

Carton 1 Weight: 38lb

Shipping Method: Ground

Country of Origin: PH



HUDSON VALLEY
LIGHTING GROUP

| hvlgroup.com | 1.800.814.3993